

A

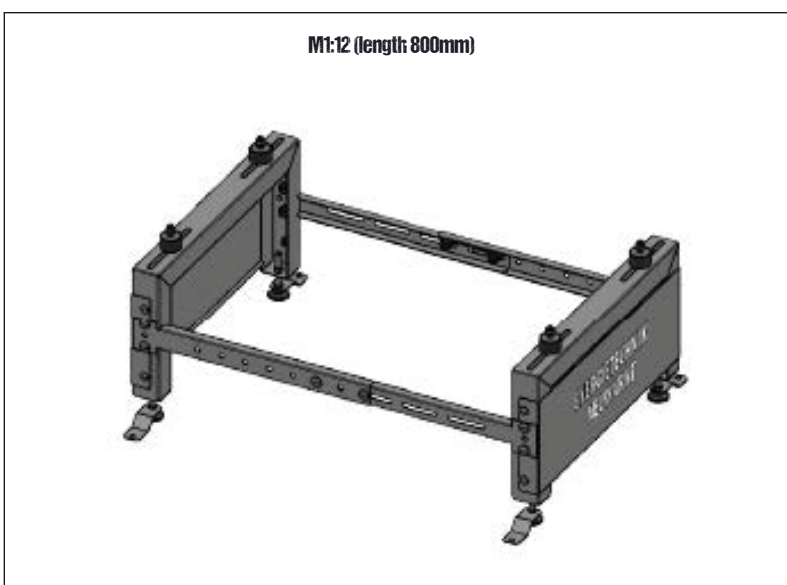
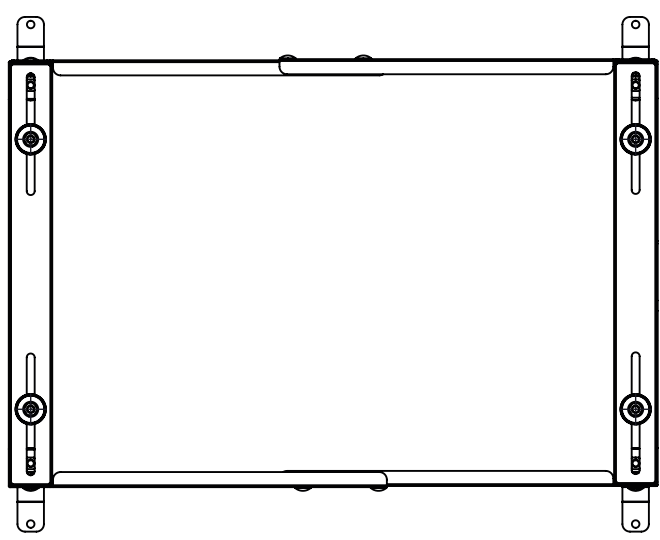
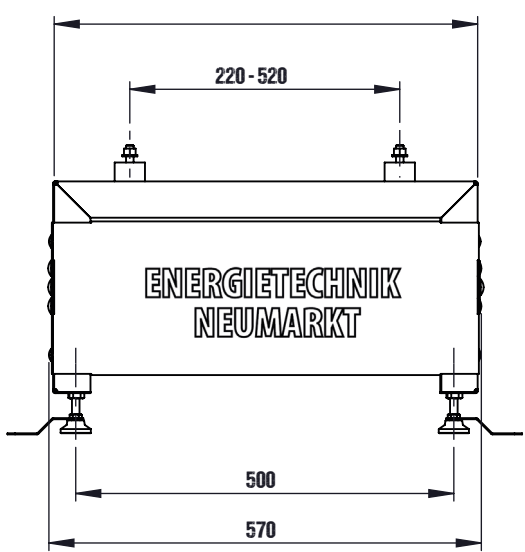
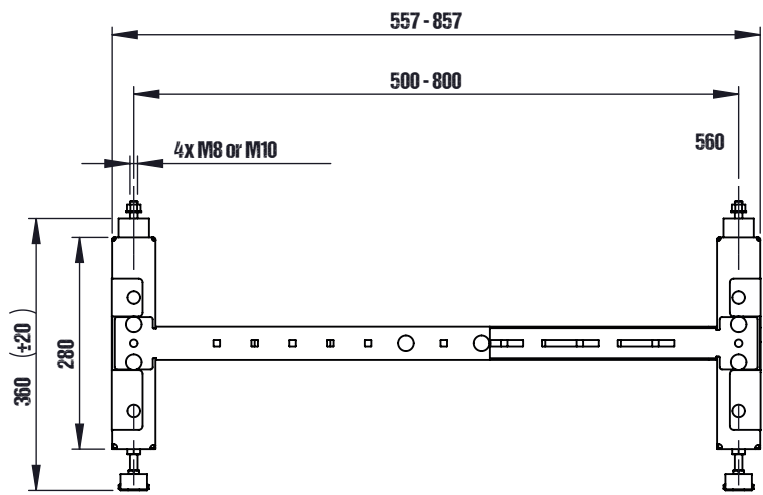
B

C

D

E


F



notes:

ENCD
Weight: 7,6kg

DIN ISO 13920 Tolerances B		
revisions-no.	00	mm / kg
	date	name
drawn by	27.03.24	MWI
checked by	27.03.24	DKI
approved by	27.03.24	JWY
modified by		



**ENERGIETECHNIK
NEUMARKT**

description **Adjustable frame for a heat pump**


code

drawing-no. **09-65025**

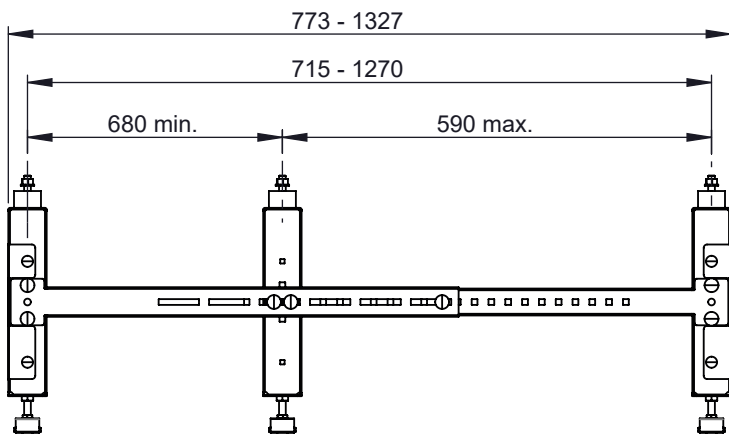
scale **1:12**

format **A4**

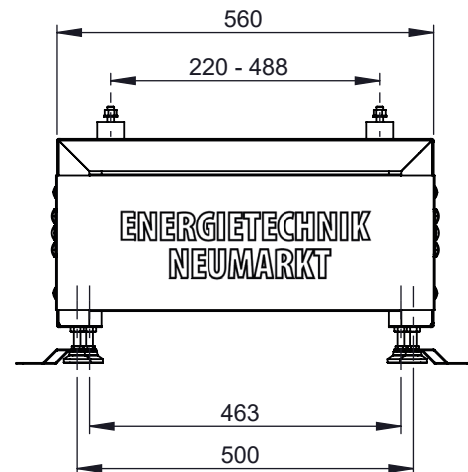
sheet **1 of 1**



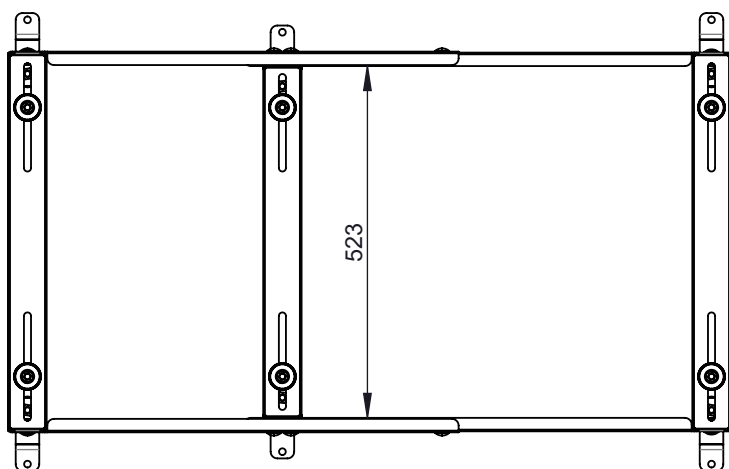
A



B

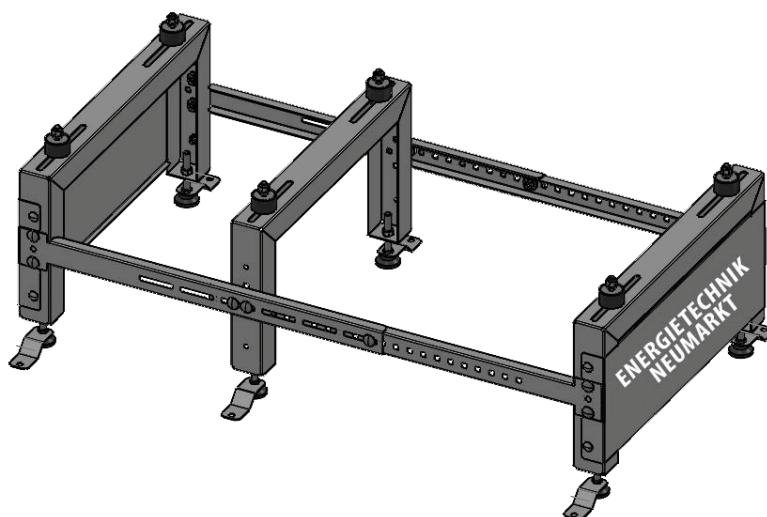


C



D

M 1:12 (lenght 1017mm)



E

F

notes:

ENCD
Weight: 10,5kg

DIN ISO 13920 Tolerances B

revisions-no.

00

mm / kg



scale

1:20

format

A4

sheet

1 of 1



	date	name
drawn by	28.03.24	MWI
checked by	28.03.24	DKI
approved by	28.03.24	JWY
modified by		

description Adjustable frame for a heat pump

code

drawing-no.

64734